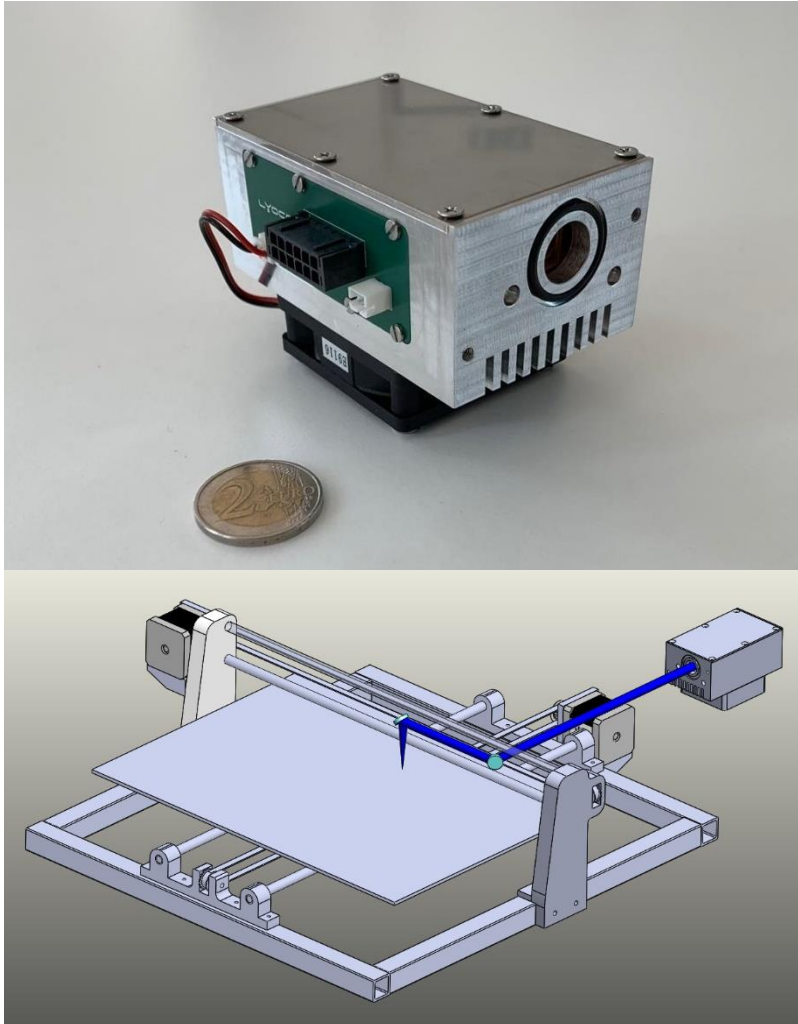


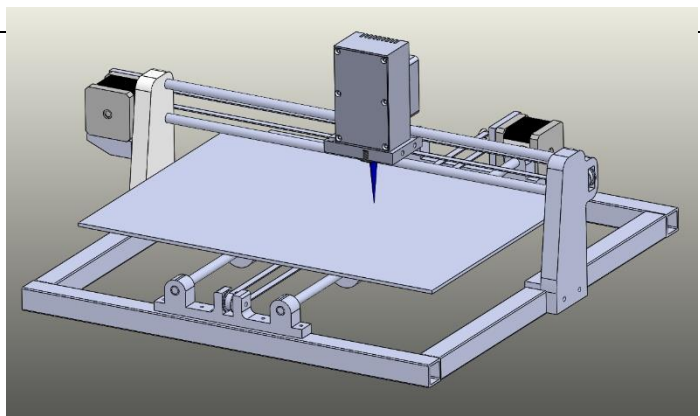
IRYS



A unique
BLUE
Laser
for
PLOTTER
System

- TEXTILE DECORATING & CUTTING
- DIRECT MARKING ON ORGANIC MATERIAL (TISSUE, LEATHER, FOOD, PAPER)
- LABELLING & SECURITY MARKING for PACKAGING and PHARMA
- METAL ABLATION

- Valid substitute to CO2 lasers:
 - much less power required
 - Sharp trace, symmetrized spot shape
 - Extremely compact & low cost
 - Ease of integration
 - Very high processing speed
 - No consumables



The latest laser marking technology

Thanks to the strong absorption of **BLUE 450nm** radiation by the materials, **IRYS** is ideal for textile marking and cutting, direct marking on organic materials (tissue, leather, food), labelling and security marking for packaging and pharma, as well as metal ablation.

Technical Specifications

Technology	Direct Diode
Wavelength	445nm +/-5nm
Output Power	6W
Operating Current	1.9A
Operating Voltage	100-240VAC ; 50/60Hz
Marking Area	140x140mm ²
Aiming Beam available	640nm
Laser Module Dimension	85x50x36 mm ³
Aiming Beam module dimension	45x50x36 mm ³
Rack dimension	210x155x130 mm ³
Cooling	Air
Includes	OEM Blue Laser Head Power Supply Unit Focusing Optics (optional)



Available as OEM laser source to full Marking System

- * Conditions unless otherwise stated: typical parameters at 25°C ambient temperature.
- * Reliability impacted if operating point deviates from reference condition



Labelling & Traceability



Metal Marking



Food Branding



Textile Decorating

CONTACTS

LYOCON S.r.l.

Registered Office: Via Mercalli, 16 – 20019 Settimo M.se (MI) – Italy

Operational Headquarters: C.so Novara, 161 – 27029 Vigevano (PV) – Italy

Phone: +39 0381 453792

Fax: +39 0381 455213

E-mail: info@lyocon.com

Web: www.lyocon.com