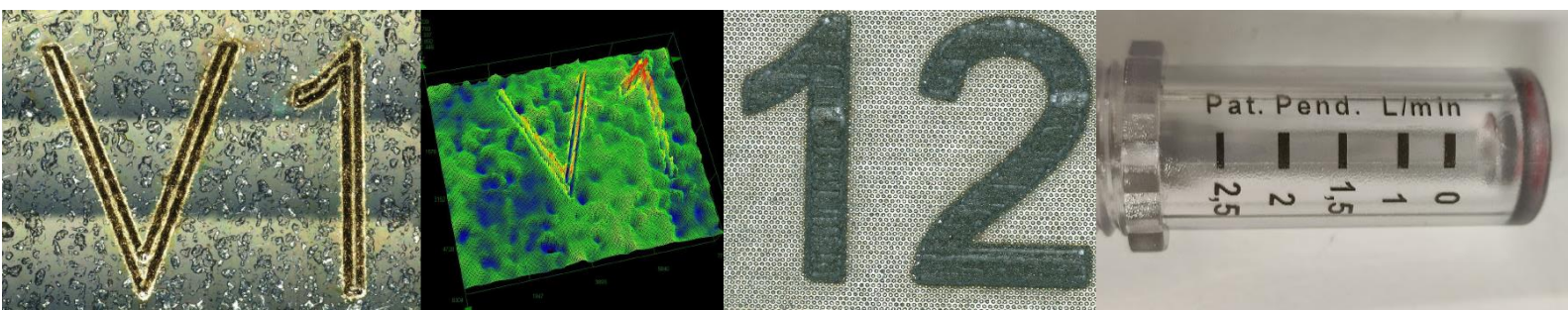


NYR Series

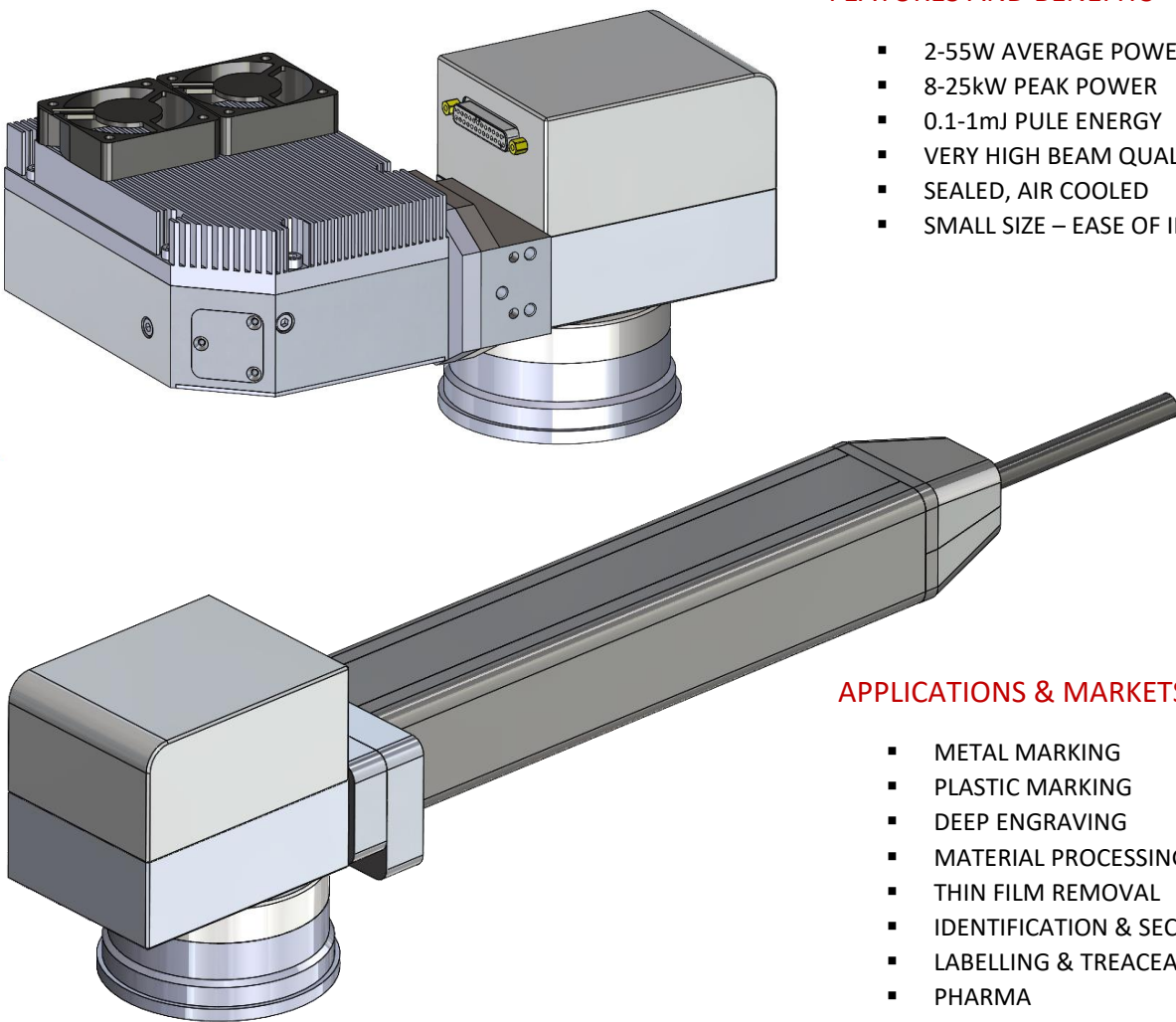
NEAR-INFRARED LASER SOURCES FOR MARKING AND ENGRAVING



NYR is a family of 1060-1090nm OEM laser sources for **marking** and **engraving**. Based on dpss or fiber technology, the product family covers a wide range of deliverable power, pulse energy and peak power, thus being ideal for the most various and demanding application needs. NYR2.0 offers the high peak power and the compact, rugged design of the dpss laser technology. NYR30 and NYR55 offer the high energy and versatility of the fiber laser technology.

FEATURES AND BENEFITS

- 2-55W AVERAGE POWER
- 8-25kW PEAK POWER
- 0.1-1mJ PULSE ENERGY
- VERY HIGH BEAM QUALITY
- SEALED, AIR COOLED
- SMALL SIZE – EASE OF INTEGRATION



APPLICATIONS & MARKETS

- METAL MARKING
- PLASTIC MARKING
- DEEP ENGRAVING
- MATERIAL PROCESSING
- THIN FILM REMOVAL
- IDENTIFICATION & SECURITY
- LABELLING & TRACEABILITY
- PHARMA
- PACKAGING

TECHNICAL SPECIFICATIONS

		NYR 2.0	NYR 30	NYR 55
Technology	-	Dpss	Fiber	Fiber
Wavelength (nominal)	nm	1064	1080-1095	1080-1095
Polarization	-	Random	Random	Random
Average output power	W	2	30	55
Peak power	kW	25	8.5	8.5
Pulse width	ns	3	50-200	50-200
Pulse repetition frequency	kHz	25	30-80	50-100
Beam quality M ²	-	< 1.5	< 1.5	< 1.5
Operating current	A	6	5 (@110VAC)	8 (@110VAC)
Operating voltage	V	24VDC	90-260VAC (50-60Hz)	90-260VAC (50-60Hz)
Aiming beam	-	Red	Red	Red
Operating temperature (*)	°C	+15 / +35	+15 / +35	+15 / +35
Storage temperature (*)	°C	-10 / +60	-10 / +60	-10 / +60
Cooling	-	Air	Air	Air
Laser head size ^(a)	mm	145x140x72	350x96x53	350x96x53
OEM rack size ^(b)	mm	164x136x37(H)	430x233x287(H)	430x233x287(H)
OEMKR rack size ^(b)	mm	266x174x43(H)	430x233x287(H)	430x233x287(H)
Marker Version (OEMKR) includes:				
		▪ Scanning head – 10mm aperture		
		▪ F-theta lens – EFL 160mm ^(c) : working area 110x110mm		
		▪ OEMKR driver + temperature controller		
		▪ Marking software (basic license)		
Also available in OEM version				

Conditions unless otherwise stated: typical parameters at 25°C * Not-condensing environment

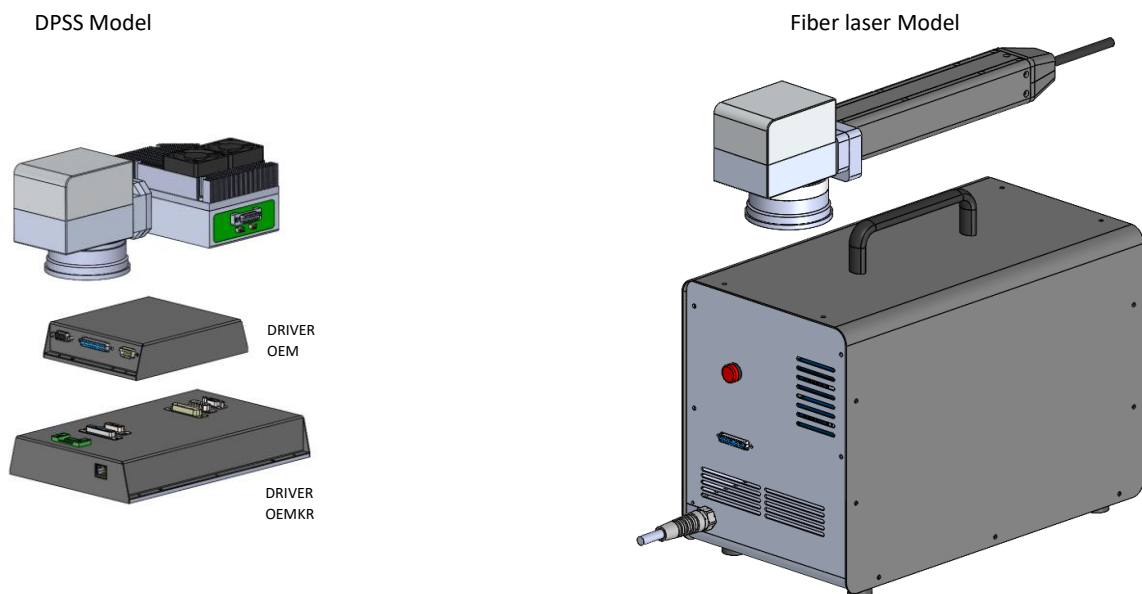
(a) Including adapting plate, excluding scan head (b) excluding protruding parts (c) Others available upon request

APPLICATION TIPS

Find our application tips and insights at the following links:

<https://www.lyocon.com/products/nyr/>

MECHANICAL INTERFACE – See product manual for detailed mechanical size



Lyocon aims to continuous improvement of its products, so specifications may change without notice. Class 4 Laser Product.